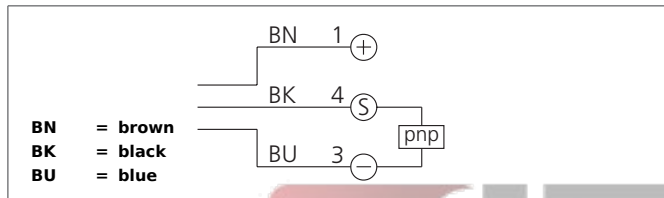


LGU 081 P3K-TSSL

Laser Fork Light Barrier

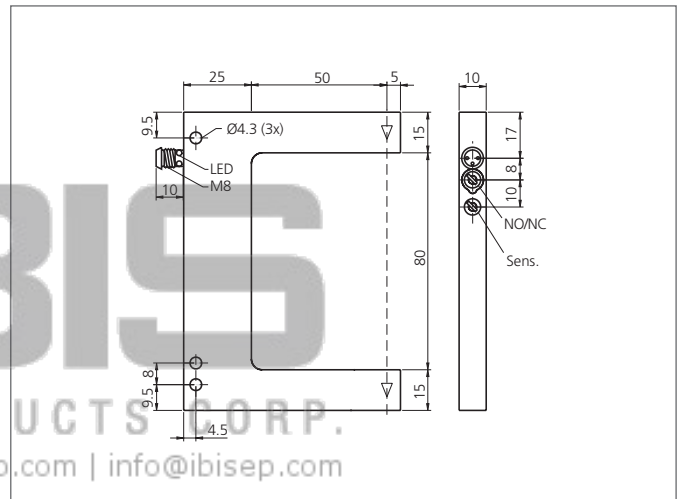


- Light/dark switching
- Extremely high resolution
- Reproducibility 0.01 mm
- Visible laser spot
- High operating frequency
- Metal casing
- Laser class 1
- High protection class
- Extremely bright ring LED
- 5-year warranty



Safety instructions

Inproper use may result in hazardous radiation exposure. Pay attention to accident prevention rules and laser class. The instruments are not to be used for safety applications, in particular applications in which safety of persons depends on proper operation of the instruments. These instruments shall exclusively be used by qualified personnel.



| TECHNICAL INFORMATION (typ.) | +20°C, 24V DC |
|--------------------------------|---------------------------------|
| Operating principle | Optical |
| Evaluation | digital |
| Size | 110 x 80 x 10 mm (Dimensions) |
| Design | fork |
| Fork opening | 80 mm |
| Branch length inside | 55 mm |
| Emitted light | Red light laser, clocked |
| Laser class | 1 (IEC 60825-1) |
| Service voltage | 10 ... 35 V DC (Supply Class 2) |
| No-load current | < 30 mA |
| Sensitivity adjustment | potentiometer |
| Resolution | 0,05 mm |
| Switching output | pnp, 200 mA, NO/NC, switchable |
| Switching hysteresis | < 0,02 mm |
| Shock-/vibration load | 10 ... 55 Hz / 1,0 mm / 30 g |
| Voltage drop | < 2,8 V |
| Switching frequency | 3000 Hz |
| Reproducibility | 0,01 mm |
| Laser power | < 100 μW |
| Ambient temperature, operation | +5 ... +45 °C |
| Ambient light immunity | 40 kLx |
| Insulation voltage endurance | 250 V |
| Protection class | IP 67 |

LGU 081 P3K-TSSL
Laser Fork Light Barrier



| TECHNICAL INFORMATION (typ.) | +20°C, 24V DC |
|-------------------------------------|--|
| Protection degree | III, operation on protective low voltage |
| Casing material | Aluminium black anodized |
| Connection | Connector, M8, 3-poled |
| Connecting cable | TK ... |
| Mountable side by side | Yes |

