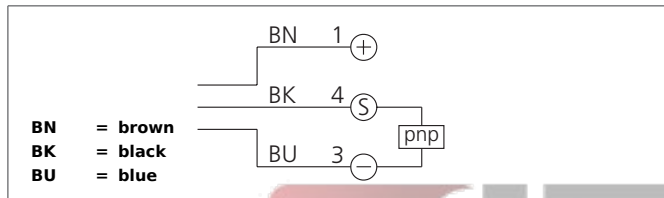


LGUP 081 P3K-TSSL

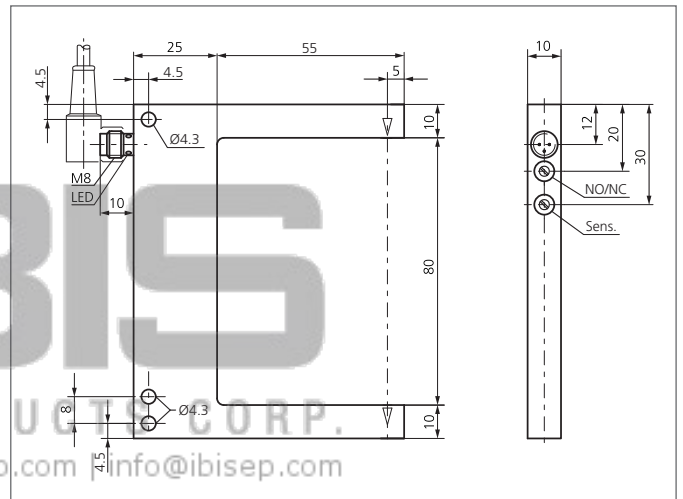
Laser Fork Light Barrier

- Light/dark switching
- Resolution 0,2 mm
- Visible laser spot
- High operating frequency
- Metal casing
- Laser class 1
- High protection class
- Extremely bright ring LED
- 5-year warranty



Safety instructions

Inproper use may result in hazardous radiation exposure. Pay attention to accident prevention rules and laser class. The instruments are not to be used for safety applications, in particular applications in which safety of persons depends on proper operation of the instruments. These instruments shall exclusively be used by qualified personnel.



TECHNICAL INFORMATION (typ.)		+20°C, 24V DC
Operating principle		Optical
Evaluation		digital
Size		100 x 80 x 10 mm (Dimensions)
Design		fork
Fork opening		80 mm
Branch length inside		55 mm
Emitted light		Red light laser, clocked
Laser class		1 (IEC 60825-1)
Service voltage		10 ... 35 V DC (Supply Class 2)
No-load current		< 30 mA
Sensitivity adjustment		potentiometer
Resolution		Ø 0,2 mm
Switching output		pnp, 200 mA, NO/NC, switchable
Switching hysteresis		< 0,05 mm
Shock-/vibration load		10 ... 55 Hz / 1,0 mm / 30 g
Voltage drop		< 2,8 V
Switching frequency		3000 Hz
Reproducibility		0,02 mm
Laser power		< 100 µW
Ambient temperature, operation		0 ... +50 °C
Ambient light immunity		5 kLx
Insulation voltage endurance		500 V
Protection class		IP 67

LGUP 081 P3K-TSSL
Laser Fork Light Barrier



TECHNICAL INFORMATION (typ.)	+20°C, 24V DC
Protection degree	III, operation on protective low voltage
Casing material	Die-cast zinc black lacquered finish
Connection	Connector, M8, 3-poled
Connecting cable	TK ...

