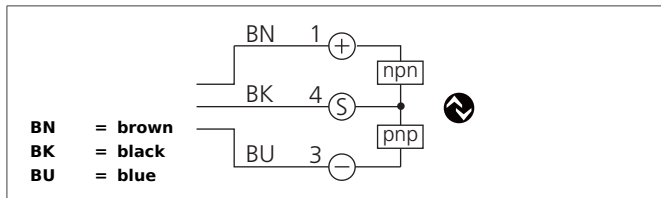


OGL 081 G3-T3 Angled Light Barrier

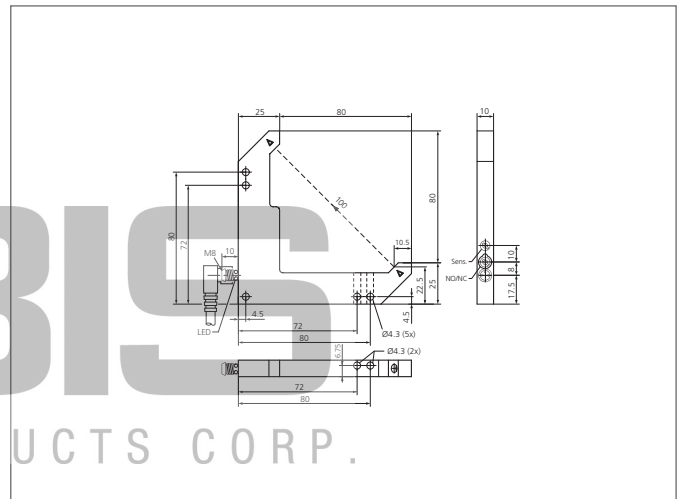
- IO-Link
- 4 operating modes as IO-link parameter
- On-off delay as IO-link parameter
- Diagnose via (by means of) IO-link
- Metal casing
- Integrated electronic module
- Sensitivity adjustable
- High operating frequency
- Light/dark switching
- Bright ring LED
- High protection class
- 5-year warranty



Safety instructions

The Instruments are not to be used for safety applications, in particular applications in which safety of persons depends on proper operation of the instruments.

These instruments shall exclusively be used by qualified personnel.



TECHNICAL INFORMATION (typ.)		+20°C, 24V DC
Operating principle		Optical
Evaluation		digital
Size		105 x 105 x 10 mm (Dimensions)
Design		Angle
Branch length inside		80/80 mm
Emitted light		Red, 660 nm, clocked
Service voltage		10 ... 30 V DC (Supply Class 2)
No-load current		< 30 mA
Operating distance		100 mm (optical axis)
Resolution		Ø 0,3 mm (min. Ø 0,2 mm)
Sensitivity adjustment		potentiometer
Switching output		Push pull, 100 mA, NO/NC, switchable
Interface		IO-Link, V1.1, COM2 (38,4kBd), Smart Sensor Profile
Voltage drop		< 1,0 V
Switching frequency		5000 Hz, (< 8000 Hz)
Reproducibility		0,02 mm
Ambient temperature, operation		-25 ... +60 °C
Ambient light immunity		25 kLx
Insulation voltage endurance		500 V
Protection class		IP 67
Protection degree		III, operation on protective low voltage
Casing material		Die-cast zinc powder-coated
Material		Mineral glass (Optik)

OGL 081 G3-T3
Angled Light Barrier



TECHNICAL INFORMATION (typ.)	+20°C, 24V DC
Connection	Connector, M8, 3-poled
Connecting cable	TK ...

