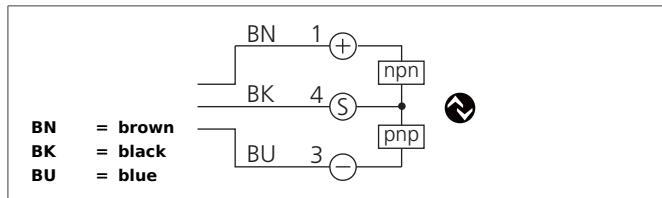


OGU 050 G3-T3

Fork Light Barrier

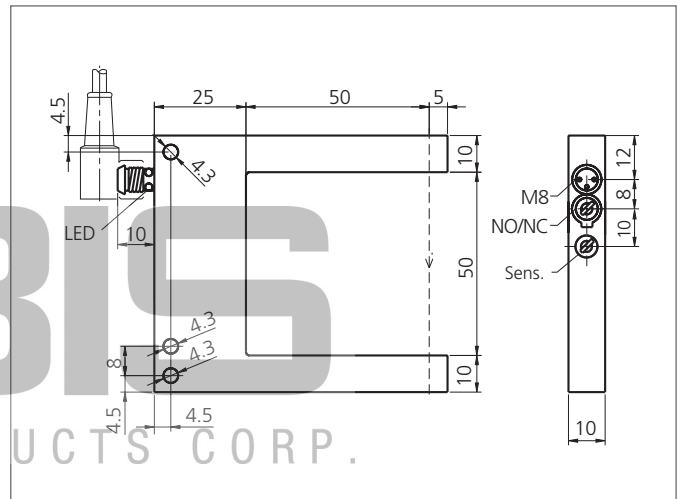


- Light/dark switching
- IO-Link
- 4 operating modes as IO-link parameter
- On-/off delay as IO-link parameter
- Diagnose via (by means of) IO-link
- Metal casing
- Integrated electronic module
- Sensitivity adjustable
- High operating frequency
- Bright ring LED
- High protection class
- 5-year warranty



Safety instructions

The Instruments are not to be used for safety applications, in particular applications in which safety of persons depends on proper operation of the instruments. These instruments shall exclusively be used by qualified personnel.



TECHNICAL INFORMATION (typ.)		+20°C, 24V DC
Operating principle		Optical
Evaluation		digital
Operating modes		Default, High resolution, Power, Speed
Size		70 x 80 x 10 mm (Dimensions)
Design		fork
Fork opening		50 mm
Branch length inside		55 mm
Emitted light		Infrared, clocked
Service voltage		10 ... 30 V DC (Supply Class 2)
No-load current		< 30 mA
Resolution		Ø 0,3 mm (min. Ø 0,2 mm)
Sensitivity adjustment		potentiometer
Switching output		Push pull, 100 mA, NO/NC, switchable
Interface		IO-Link, V1.1, COM2 (38,4kBd), Smart Sensor Profile
Switching frequency		5000 Hz, (< 8000 Hz)
Reproducibility		0,02 mm
Ambient temperature, operation		-25 ... +60 °C
Insulation voltage endurance		500 V
Protection class		IP 67
Protection degree		III, operation on protective low voltage
Casing material		Die-cast zinc black powder-coated
Connection		Connector, M8, 3-poled
Connecting cable		TK ...