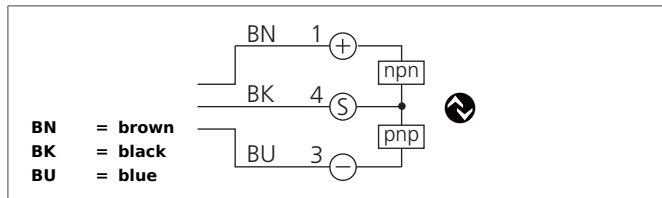


OGUL 081 G3-T3

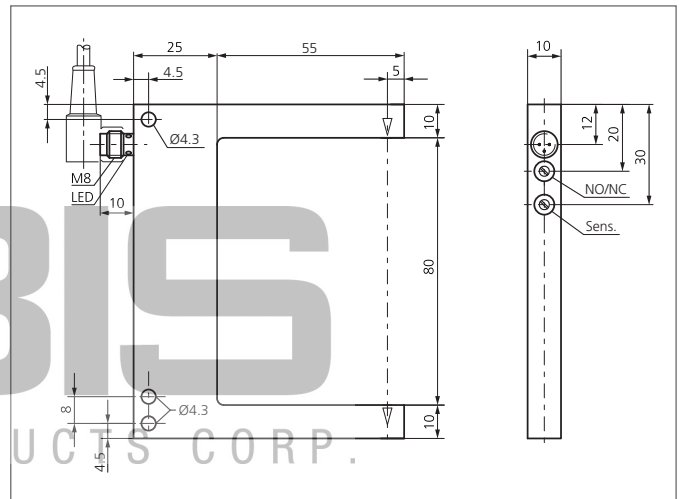
Fork Light Barrier

- Light/dark switching
- IO-Link
- 4 operating modes as IO-link parameter
- On-/off delay as IO-link parameter
- Diagnose via (by means of) IO-link
- Metal casing
- Integrated electronic module
- Sensitivity adjustable
- High operating frequency
- Bright ring LED
- High protection class
- 5-year warranty



Safety instructions

Inproper use may result in hazardous radiation exposure. Pay attention to accident prevention rules and laser class. The instruments are not to be used for safety applications, in particular applications in which safety of persons depends on proper operation of the instruments. These instruments shall exclusively be used by qualified personnel.



| TECHNICAL INFORMATION (typ.) | +20°C, 24V DC |
|--------------------------------|---|
| Operating principle | Optical |
| Evaluation | digital |
| Operating modes | Default, High resolution, Power, Speed |
| Size | 100 x 80 x 10 mm (Dimensions) |
| Design | fork |
| Fork opening | 80 mm |
| Branch length inside | 55 mm |
| Emitted light | Red light laser, clocked |
| Service voltage | 10 ... 30 V DC (Supply Class 2) |
| No-load current | < 30 mA |
| Resolution | Ø 0,05 mm (min. Ø 0,04 mm) |
| Sensitivity adjustment | potentiometer |
| Switching output | Push pull, 100 mA, NO/NC, switchable |
| Interface | IO-Link, V1.1, COM2 (38,4kBd), Smart Sensor Profile |
| Voltage drop | < 2,0 V |
| Switching frequency | 5000 Hz, (< 8000 Hz) |
| Reproducibility | 0,01 mm |
| Ambient temperature, operation | -25 ... +60 °C |
| Insulation voltage endurance | 500 V |
| Protection class | IP 67 |
| Protection degree | III, operation on protective low voltage |
| Casing material | Die-cast zinc black powder-coated |
| Connection | Connector, M8, 3-poled |

OGUL 081 G3-T3
Fork Light Barrier



| TECHNICAL INFORMATION (typ.) | +20°C, 24V DC |
|-------------------------------------|----------------------|
| Connecting cable | TK ... |
| Mountable side by side | Yes |

