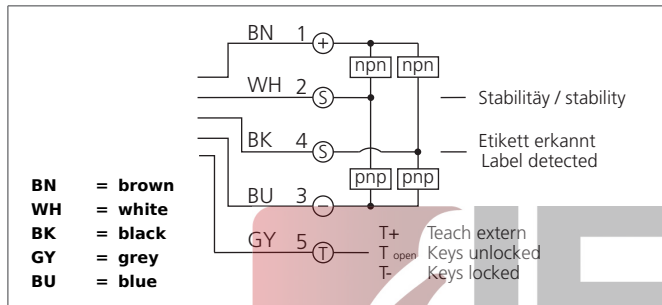


UGUTI 6/70 G6-RB5

Ultrasonic Label Sensor

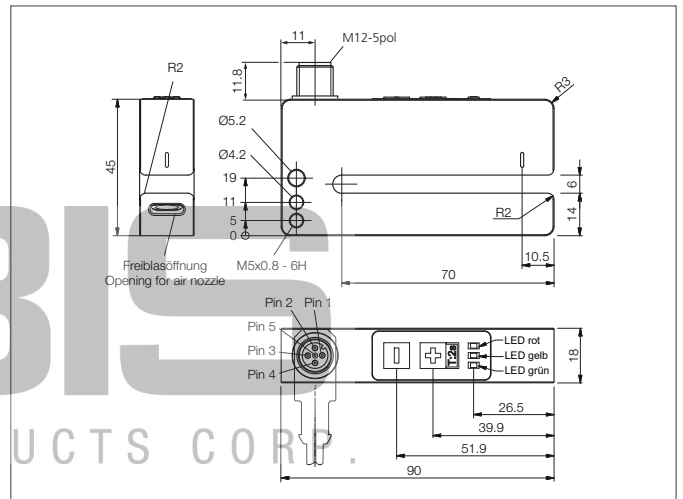


- Detection of metallised-, transparent- and paper labels
- Intuitive teach-in via membrane keyboard, fine-tuning
- High reproducibility
- Short response time
- Robust metal casing
- Large fork opening and fork depth
- Remote teach with key-lock function
- IO-link parameter with IO-link ON-/OFF-Delay
- Multi output (Pin2) stability (factory setting) / label detected
- Parallel mode (Pin2) / label detected and IO-link (Pin 4)



Safety instructions

The Instruments are not to be used for safety applications, in particular applications in which safety of persons depends on proper operation of the instruments. These instruments shall exclusively be used by qualified personnel.



TECHNICAL INFORMATION (typ.)	+20°C, 24 V DC
Operating principle	Ultrasonic through beam sensor
Fork opening	6 mm
Branch length inside	70 mm
Characteristics	plug connector at the top
Service voltage	18 ... 30 V DC
No-load current	< 40 mA
Sensitivity adjustment	Remote teach, keys
Switching output	Push pull (2x), NO/NC, switchable
Max. power operating	100 mA, (per output)
Label interspace	> 2 mm
Label thickness	< 5,9 mm
Interface	IO-Link, V1.1, COM2 (38,4kBd), Smart Sensor Profile
Display	LED: red (insufficient stability), LED yellow (Display output), LED green (status)
Response time	0,25 ms
Reproducibility	± 0,2 mm
Readiness delay	< 180 ms
Ambient temperature, operation	0 ... +60 °C
Insulation voltage endurance	500 V
Protection class	IP 67
Protection degree	III, operation on protective low voltage
Casing material	Aluminium black anodized
Connection	M12, 5-poled