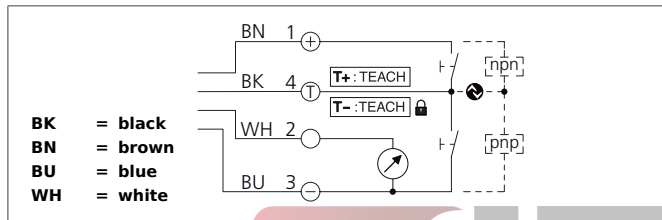


US 18 M 1500 IU-B4

Ultrasonic sensor

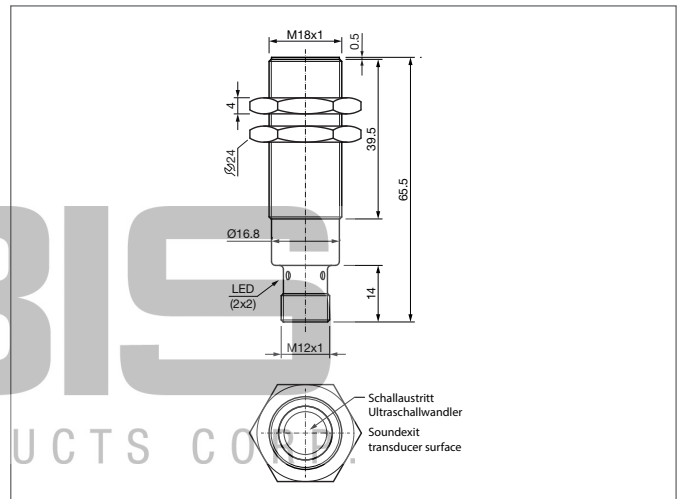


- IO-Link
- As a ultrasonic sensor or -barrier configurable
- Scanning range adjustable
- Analog output 4 ... 20 mA / 0 ... 10 V, depending on load
- Insensitive to dirt
- Insensitive to ambient noise
- Scanning does not depend on surface
- High frequency of measuring sequence
- High resolution



Safety instructions

The Instruments are not to be used for safety applications, in particular applications in which safety of persons depends on proper operation of the instruments.
These instruments shall exclusively be used by qualified personnel.



TECHNICAL INFORMATION (typ.)		+20°C, 24V DC
Operating principle		Ultrasonic sensor, Ultrasonic barrier
Evaluation		analog, digital (via IO-Link)
Size		M18 x 1 (thread)
Design		screw
Sending axis		axial
Characteristics		IO-Link
Nominal switching distance (Sn)		1500 mm
Standardized measuring plate		100 x 100 mm
Service voltage		18 ... 30 V DC
No-load current		< 35 mA, (24 V DC)
Adjustment range		150 ... 1500 mm, Teach in
Sensitivity adjustment		Remote teach
Switching output		Push pull, 150 mA
Switching hysteresis		6 mm, via IO-Link adjustable
Analog output		0 ... 10 V, 4 ... 20 mA
Interface		IO-Link, V1.1, COM2 (38,4kBd), Smart Sensor Profile
Display		LED: green - operation, yellow - output
Voltage drop		< 2,5 V
Switching frequency		> 5 Hz ... < 10 Hz
Readiness delay		< 300 ms
Ambient temperature, operation		-25 ... +70 °C
Temperature drift		0.2 %/K (uncompensated)
Load resistance		> 10 KΩ (0 ... 10 V) / < 400 Ω (4 ... 20 mA)

US 18 M 1500 IU-B4
Ultrasonic sensor



TECHNICAL INFORMATION (typ.)	+20°C, 24V DC
Insulation voltage endurance	500 V
Protection class	IP 67
Protection degree	III, operation on protective low voltage
Casing material	brass nickel plated
Connection	Connector, M12 x 1, 4-poled
Scope of delivery	2 x M18 nuts

