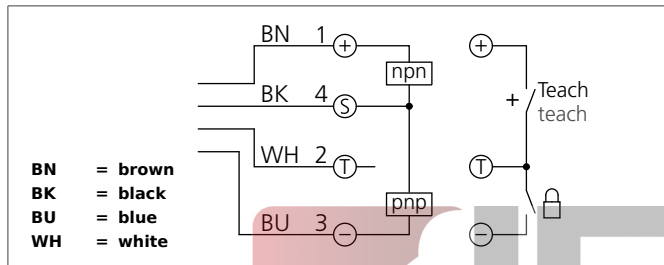


US 30 M 6000 G3-B4

Ultrasonic Sensor

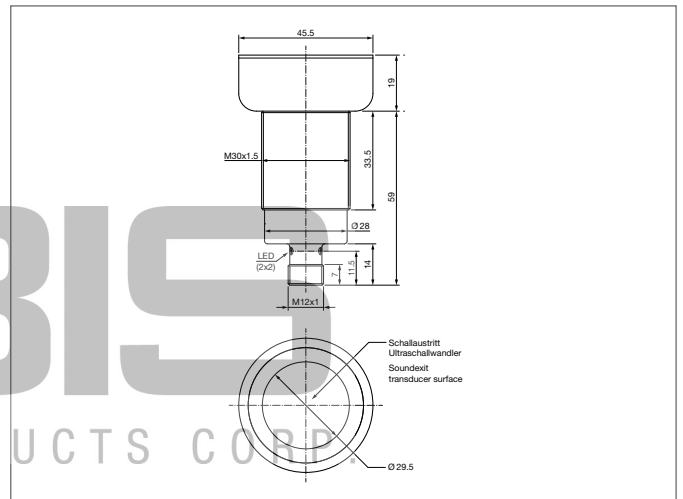


- IO-Link
- As a ultrasonic sensor or -barrier configurable
- 3 different teach modes
- Scanning range adjustable
- Insensitive to dirt
- Insensitive to ambient noise
- Metal casing with connector M12
- Protection class IP 67



Safety instructions

The Instruments are not to be used for safety applications, in particular applications in which safety of persons depends on proper operation of the instruments.
These instruments shall exclusively be used by qualified personnel.



TECHNICAL INFORMATION (typ.)		+20°C, 24V DC
Operating principle		Retroreflective sensor, Diffuser, Window mode, configurable via IO-Link
Evaluation		digital
Size		M30 x 1,5 (thread)
Design		screw
Sending axis		axial
Nominal switching distance (Sn)		6000 mm
Standardized measuring plate		200 x 200 mm
Service voltage		18 ... 30 V DC
No-load current		< 45 mA, (24 V DC)
Operating distance		600 ... 6000 mm adjustable
Resolution		1 mm (IO-Link)
Sensitivity adjustment		Remote teach
Mounting distance		> 1400 mm (Sensor to sensor)
Switching output		Push pull, 100 mA, NO/NC, switchable
Max. power operating		100 mA
Switching hysteresis		5 ... 50 mm (20 mm preset), via IO-Link adjustable
Sound frequency		80 kHz
Interface		IO-Link, V1.1, COM2 (38,4kBd), Smart Sensor Profile
Inverse polarity protection		Yes
Display		2 x LED yellow (Display output), 2 x LED green (status)
Voltage drop		< 2,0 V
Switching frequency		2 Hz

US 30 M 6000 G3-B4 Ultrasonic Sensor



TECHNICAL INFORMATION (typ.)	+20°C, 24V DC
Short-circuit protection	yes
Reproducibility	4 mm
Linearity error	< 0,5 % / Sn max.
Readiness delay	< 300 ms
Ambient temperature, operation	-25 ... +70 °C
Temperature drift	0.2 %/K (uncompensated), < 1.5 %/Sn (compensated)
Insulation voltage endurance	500 V
Protection class	IP 67
Protection degree	III, operation on protective low voltage
Casing material	brass nickel plated
Material	epoxy resin, PUR (Transducer surface)
Connection	Connector, M12 x 1, 4-poled
Scope of delivery	2 x M30 nuts

