

# RQBK90DR

Kunststoff-Schnellverschraubung  
 Bogen 90°  
 drehbares Messingaußengewinde  
 hochdichtend  
 inkl. O-Ring [OR] und Flachdichtring [FRH]

Plastic connector, quick-type  
 bend 90°  
 turnable nickel-plated brass  
 outer thread, high-density  
 incl. OR O-ring and FRH flat-sealing

🔥 IP 68 | IP 69K  
 🌡️ -40°C ... +120°C

## EIGENSCHAFTEN


- beständig gegen Öl und Benzin
- weitgehend säure- | lösungsmittelbeständig
- silikon-, cadmium- und halogenfrei
- hohe mechanische Belastbarkeit
- Schlagfestigkeit
- hohes Drehmoment des Gewindeanschlusses
- Positionierung auch nach der Montage möglich

## PROPERTIES

- resistant against oil and benzine
- widely resistant to acids and solvents
- free of silicone, cadmium, halogen
- fit for high mechanical stress
- impact-resistant
- high torque of thread connection
- swiveling also after installation

EN / IEC 61386-23 

UL 1696 | CSA 22.2  
 UR file E86359 

EN 45545-2 [HL 3]   

ASTM E162 | E662  
 SMP 800-C 

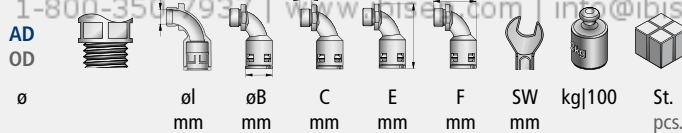


VIDEO

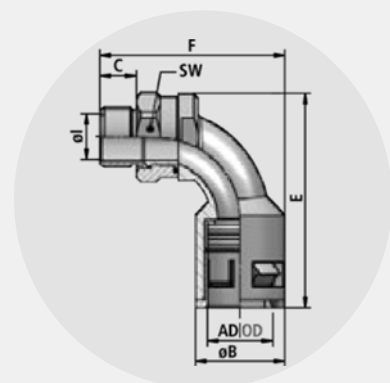


### FLEXA No.

schwarz  
 black



FLEXA No.	AD	OD	øl	øB	C	E	F	SW	kg 100	St. pcs.
<b>RQBK90DR-M</b>										
	Metr. EN 60423 [IP 68   69K]									
1 5121 021 220	21,2	M 20 x 1,5	13,0	29,5	12,0	72,0	62,0	27	6,200	50
1 5121 421 220	21,2	M 20 x 1,5	13,0	29,5	6,0	72,0	56,0	27	5,740	50
1 5121 028 225	28,5	M 25 x 1,5	17,0	37,0	13,0	90,0	80,0	34	11,160	25
1 5121 428 225	28,5	M 25 x 1,5	17,0	37,0	7,0	90,0	74,0	34	10,350	25
1 5121 034 232	34,5	M 32 x 1,5	24,5	44,0	14,0	100,0	91,0	43	16,500	10
1 5121 434 232	34,5	M 32 x 1,5	24,5	44,0	8,0	100,0	85,0	43	15,500	10
1 5121 042 240	42,5	M 40 x 1,5	31,5	52,0	17,0	111,0	103,0	52	28,400	10
1 5121 442 240	42,5	M 40 x 1,5	31,5	52,0	8,0	111,0	94,0	52	26,300	10
<b>RQBK90DR-P</b>										
	PG DIN 40430 [IP 68   69K]									
1 5521 021 216*	21,2	16	13,0	29,5	13,0	72,0	65,0	27	6,200	50
1 5521 028 221*	28,5	21	17,0	37,0	14,0	90,0	81,5	34	11,000	25
1 5521 034 229*	34,5	29	24,5	44,0	14,0	100,0	95,0	43	16,000	10
1 5521 042 236*	42,5	36	31,5	52,0	17,0	110,0	105,0	52	32,900	10
<b>RQBK90DR-N</b>										
	NPT ANSI/ASME B1.20.1 [IP 68   69K]									
1 5020 019 206*	21,2	1/2"	13,0	29,5	13,0	73,0	65,0	27	7,100	50
1 5020 019 214*	28,5	3/4"	17,0	37,0	14,0	90,0	81,5	34	12,000	25
1 5020 019 216*	34,5	1"	24,5	44,0	14,0	100,0	95,0	43	17,400	10
1 5020 019 217*	42,5	1 1/4"	31,5	52,0	17,0	110,0	105,0	52	30,500	10



\* Lieferzeit auf Anfrage Delivery time on request