

RQMS | RQM

Massiver Schlauchhalter
für schwere Anwendungen

-40°C ... +120°C

Heavy tubing clamp
for heavy duty applications

EN 45545-2 [HL 3]

ASTM E162|E662
SMP 800-C



MATERIAL

Kunststoff [PA]

MATERIAL

plastics [PA]

EIGENSCHAFTEN

- Befestigungsbohrungen
- Rippenfixierung zur Zugentlastung
- unterschiedliche Größen sind aneinanderreihbar, übereinander stapelbar (siehe passende Schrauben)
- einsetzbar in C-Profilsschiene

PROPERTIES

- fastening bore hole
- ribbed fixing for strain relief
- assembly of varying sizes joined in line or on top of each other (see different screws)
- for using in combination with C-profile bar



RQM2



RQM3



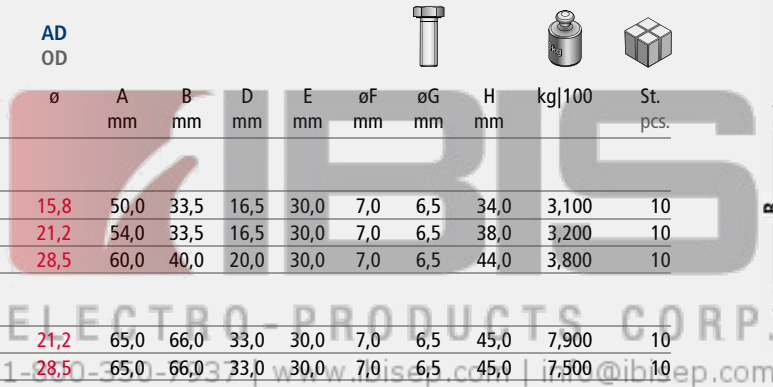
RQM4



FLEXA No.

AD
OD

schwarz
black



RQMS

FLEXA No.	ø	A mm	B mm	D mm	E mm	øF mm	øG mm	H mm	kg/100	St. pcs.
1 5020 006 211	15,8	50,0	33,5	16,5	30,0	7,0	6,5	34,0	3,100	10
1 5020 006 216	21,2	54,0	33,5	16,5	30,0	7,0	6,5	38,0	3,200	10
1 5020 006 221	28,5	60,0	40,0	20,0	30,0	7,0	6,5	44,0	3,800	10

RQM

1 5020 020 216	21,2	65,0	66,0	33,0	30,0	7,0	6,5	45,0	7,900	10
1 5020 020 221	28,5	65,0	66,0	33,0	30,0	7,0	6,5	45,0	7,500	10
1 5020 020 229	34,5	80,0	66,0	33,0	30,0	7,0	8,5	60,0	8,500	10
1 5020 020 236	42,5	80,0	66,0	33,0	30,0	7,0	8,5	60,0	7,600	10
1 5020 020 248	54,5	100,0	66,0	33,0	30,0	-	8,5	75,0	9,200	5

RQM 2

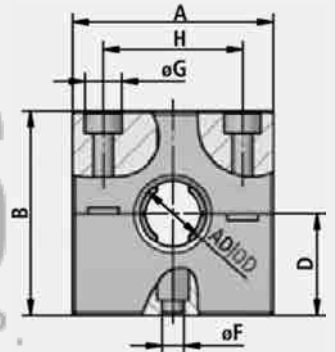
1 5020 008 201	2 x 42,5	126,0	66,0	33,0	30,0	-	8,5	106,0	10,900	10
----------------	----------	-------	------	------	------	---	-----	-------	--------	----

RQM 3

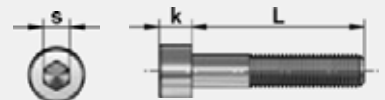
1 5020 008 205	3 x 28,5	125,0	40,0	20,0	30,0	-	6,5	45,0	6,700	10
1 5020 008 202	3 x 42,5	172,0	66,0	33,0	30,0	-	8,5	152,0	14,300	10
1 5020 008 208	3 x 54,5	209,0	66,0	33,0	30,0	-	8,5	190,0	16,000	5

RQM 4

1 5020 008 203	4 x 42,5	218,0	66,0	33,0	30,0	-	8,5	198,0	18,100	10
1 5020 008 207	4 x 54,5	282,5	66,0	33,0	30,0	-	8,5	264,0	21,000	5



DIN 4762



FLEXA No. Schrauben

FLEXA No. screws

FLEXA No.

Material material



Länge L

length L

k
mm

s
mm

St.
pcs.

1 fach 1 time 65 mm	2 fach 2 time* 130 mm	3 fach 3 time* 200 mm	Material	M	k	s	St.
1 0541 106 065	1 0541 106 130	1 0541 106 200	verzinkt galvanized	M6	6	5	100
1 0541 806 065	1 0541 806 130	-	V2A stainless steel	M6	6	5	100
1 0541 108 065	1 0541 108 130	1 0541 108 200	verzinkt galvanized	M6	6	5	100
1 0541 808 065	1 0541 808 130	-	V2A stainless steel	M6	6	5	100

* stapelbar stackable