

STK

-30°C ... +100°C

Blindstopfen

Blind plug

MATERIAL

Polyamid, glasfaserverstärkt

MATERIAL

polyamide, fibre-glass reinforced

EIGENSCHAFTEN

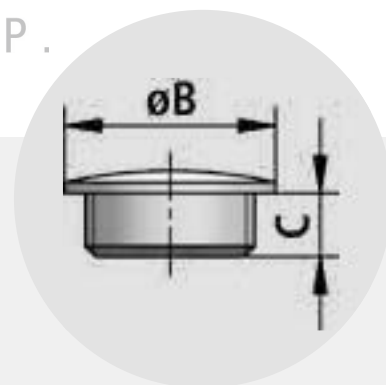
- beständig gegen schwache Säuren und Laugen
- beständig gegen Meerwasser, Benzin und Mineralöl




PROPERTIES

- resistant against light acids and soft lyes
- resistant against sea water, benzine and mineral oil



IBIS
ELECTRO-PRODUCTS CORP.



FLEXA No.	FLEXA No.					
schwarz RAL 9005 black	grau RAL 7035 grey		C mm	øB mm	kg 100	St. pcs.
STK – M		Metr. EN 60423				
0551.001.212	0551.001.012	M 12 x 1,5	6,0	15,0	0,110	100
0551.001.216	0551.001.016	M 16 x 1,5	6,0	20,0	0,190	100
0551.001.220	0551.001.020	M 20 x 1,5	6,0	24,0	0,260	100
0551.001.225	0551.001.025	M 25 x 1,5	8,0	30,0	0,410	100
0551.001.232	0551.001.032	M 32 x 1,5	8,0	37,0	0,690	100
0551.001.240	0551.001.040	M 40 x 1,5	8,0	46,0	1,000	50
0551.001.250	0551.001.050	M 50 x 1,5	10,0	56,0	1,520	50
STK – P		PG DIN 40430				
0551.000.207	0551.000.007	7	6,0	15,0	0,120	100
0551.000.209	0551.000.009	9	6,0	19,0	0,150	100
0551.000.211	0551.000.011	11	6,0	22,0	0,210	100
0551.000.213	0551.000.013	13,5	6,0	25,0	0,260	100
0551.000.216	0551.000.016	16	6,0	27,0	0,310	100
0551.000.221	0551.000.021	21	8,0	33,0	0,480	100
0551.000.229	0551.000.029	29	8,0	44,5	0,810	100
0551.000.236	0551.000.036	36	10,0	55,5	1,400	50