

🔥 -40°C ... +200°C

STM

Blindstopfen

MATERIAL

Messing vernickelt

EIGENSCHAFTEN

- hohe Stabilität

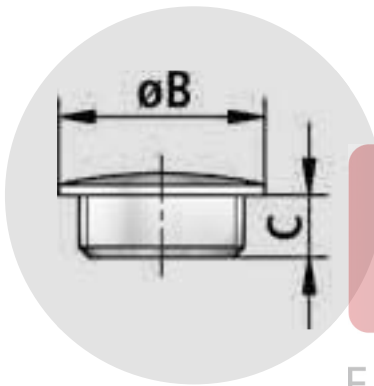
Blind plug

MATERIAL

nickel-plated brass

PROPERTIES

- high stability



IBIS
ELECTRO-PRODUCTS CORP.

FLEXA No.



FLEXA No.		C mm	øB mm	kg 100	St. pcs.
STM – M	Metr. EN 60423				
0550.001.016	M 16 x 1,5	6,0	20,0	0,500	100
0550.001.020	M 20 x 1,5	6,5	24,0	1,350	100
0550.001.025	M 25 x 1,5	7,0	28,0	2,550	100
0550.001.032	M 32 x 1,5	8,0	35,0	3,720	50
0550.001.040	M 40 x 1,5	8,0	45,0	7,000	50
0550.001.050	M 50 x 1,5	9,0	55,0	10,840	25
STM – P	PG DIN 40430				
0550.000.007	7	5,0	14,0	0,400	100
0550.000.009	9	6,0	17,0	0,660	100
0550.000.011	11	6,0	20,0	0,880	100
0550.000.013	13,5	6,5	22,0	1,100	100
0550.000.016	16	6,5	24,0	1,290	100
0550.000.021	21	7,0	30,0	2,100	100
0550.000.029	29	8,0	39,0	4,160	50
0550.000.036	36	9,0	50,0	8,040	25