

IP 54  
-10°C ... +110°C

UL 1696  
UR file E86359  
CSA 22.2  
File No. 227.3-05



# USK

Kunststoffverschraubung  
gerade  
Außengewinde  
inkl. Innentülle und Dichtring  
UL-file E86359

Plastic connector  
straight  
outer thread  
incl. ferrule and sealing  
UL-file E86359

## KONSTRUKTION

Verschraubungsgehäuse mit Sechskant-  
schlüssel­fläche und Anschlussgewinde

## STRUCTURE

Connector body with hexagonal  
wrench surface and connecting thread

## MATERIAL

Gehäuse Kunststoff [PP]  
Innentülle Kunststoff [PP]  
Dichtring TPE

## MATERIAL

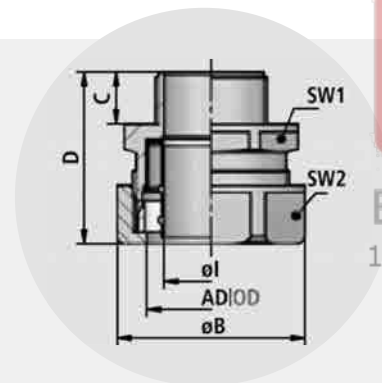
Connector body plastics [PP]  
Ferrule plastics [PP]  
Sealing ring TPE

## EIGENSCHAFTEN

- hoher Staub- und Flüssigkeitsschutz
- kraftschlüssige Verbindung von Schlauch und Verschraubung
- vibrations- und zugfest

## PROPERTIES

- high dust- and waterproof
- friction-type locking of conduit and screw connector
- vibration and tension-proof



**IBIS**

ELECTRO-PRO...  
1-800-350-7937 | www.ibis.com | info@ibis.com

AD  
OD

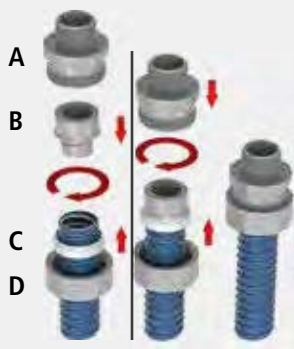
**USK-M**

FLEXA No.

AIRflex-KUW-PVC-AS  
AIRflex-KUW-PU-AS  
AIRflex-K  
AIRflex-GRS

FLEXA No.

Kleine VPE  
small packing unit



- A Verschraubungsgehäuse mit montiertem O-Ring  
connector body with mounted O-ring
- B Innentülle  
ferrule
- C Dichtring  
sealing ring
- D Druckmutter  
pressure nut

ø	Metr. EN 60423	[IP 54]	øl mm	øB mm	C mm	D mm	SW1 mm	SW2 mm	kg 100	St. pcs.	St. pcs.	
10	M 10 x 1,0	1 5020 330 010	6,0	20,0	10,0	40,0	16	18	0,340	50	1 5020 730 010	10
14	M 12 x 1,5	1 5020 330 012	8,0	25,0	12,0	43,0	21	23	0,660	50	1 5020 730 012	10
17	M 16 x 1,5	1 5020 330 016	11,0	30,0	12,0	43,0	24	27	0,880	50	1 5020 730 016	10
21	M 20 x 1,5	1 5020 330 020	15,0	35,0	13,0	44,0	29	32	1,220	50	1 5020 730 020	10
27	M 25 x 1,5	1 5020 330 025	19,0	44,0	13,0	50,0	36	40	2,400	25	1 5020 730 025	10
36	M 32 x 1,5	1 5020 330 032	27,0	54,0	15,0	51,0	45	49	3,120	25	1 5020 730 032	2
45	M 40 x 1,5	1 5020 330 040	35,0	63,0	15,0	51,0	54	58	3,920	25	1 5020 730 040	2
56	M 50 x 1,5	1 5020 330 050	44,5	77,0	16,0	58,0	66	70	6,200	10	1 5020 730 050	2
56	M 63 x 1,5	1 5020 330 063	44,5	77,0	16,0	58,0	66	70	8,800	10	1 5020 730 063	2

ø	PG DIN 40430	[IP 54]	øl mm	øB mm	C mm	D mm	SW1 mm	SW2 mm	kg 100	St. pcs.	St. pcs.	
10	7	1 5020 130 007	6,0	20,0	10,0	40,0	16	18	0,350	50	1 5020 430 007	10
14	9	1 5020 130 009*	9,0	25,0	10,0	41,0	21	23	0,640	50	1 5020 430 009*	10
17	11	1 5020 130 011*	11,0	30,0	10,0	41,0	24	27	0,860	50	1 5020 430 011*	10
19	13,5	1 5020 130 013	13,0	32,0	10,0	41,0	26	29	0,980	50	1 5020 430 013	10
21	16	1 5020 130 016*	14,5	35,0	11,0	42,0	29	32	1,180	50	1 5020 430 016*	10
27	21	1 5020 130 021	19,5	44,0	11,0	48,0	36	40	2,240	25	1 5020 430 021	10
36	29	1 5020 130 029	27,0	54,0	12,0	48,0	45	49	3,120	25	1 5020 430 029	2
45	36	1 5020 130 036	36,0	63,0	12,0	48,0	53	58	4,040	25	1 5020 430 036	2
56	48	1 5020 130 048	46,0	77,0	15,0	57,0	65	70	6,300	10	1 5020 430 048	2

\* mit NEMKO-Approbaton with NEMKO-Approval